

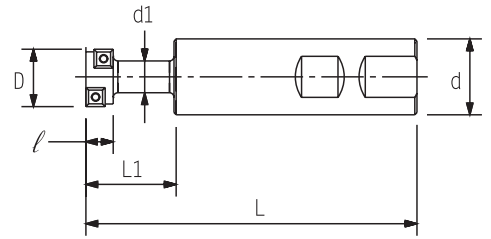


SHELL END MILLS 殼型銑刀

ETS

T型銑刀

T-SLOT END MILLS

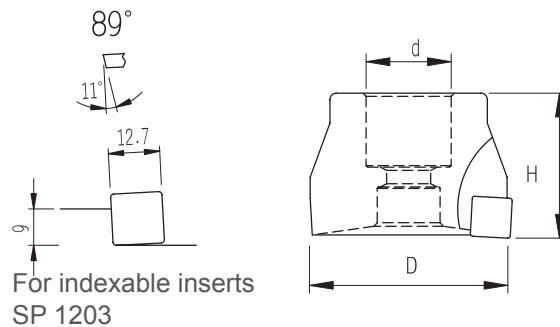


Recommended Inserts 刀片建議品牌: KYOCERA & KENNAMETAL

Order No.	Insert	Dimensions							Screw	Wrench	
		Right / Left	D	d	d1	l	L	L 1			I No
ETS2008-S25	SDMT060304E-K		20	25	10.5	8	109	29	2	CS25065	DBIT-T8
ETS2009-S25			20	25	11.5	9	109	30	2		
ETS2109-S25			21	25	10.5	9	109	29	2		
ETS2209-S25			22	25	10.5	9	109	29	2		
ETS2210-S25			22	25	12	10	109	30	2		
ETS2410-S25			24	25	12	10	109	30	2		
ETS2509-S25			25	25	12.5	9	112	32	4		
ETS2511-S25			25	25	12.5	11	112	32	4		
ETS3011-S25			30	25	15.5	11	120	38	4		
ETS3014-S25	SDMT080308E-K		30	25	15.5	14	120	38	4	CS30070	DBIT-T10
ETS3214-S32			32	32	15.5	14	120	38	4		
ETS4018-S32	SDMT120408E-K		40	32	20.5	18	130	50	4	CS40090	DBIT-T15
ETS5022-S32			50	32	26.5	22	140	60	4		

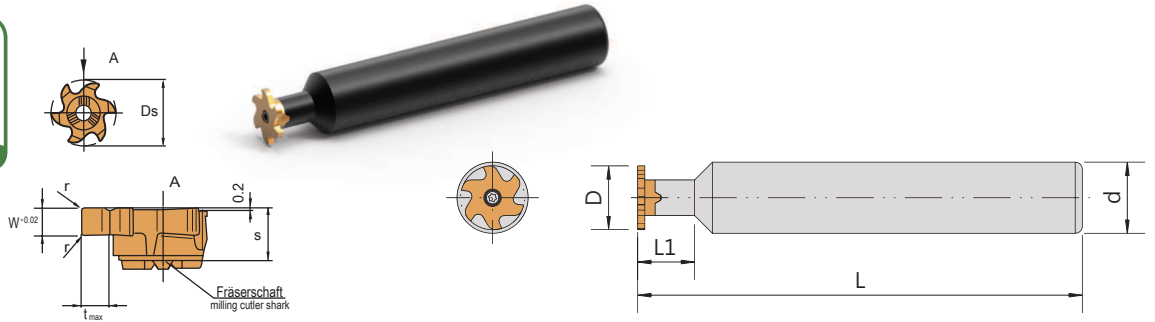
MS□□S

Positive Axial Rake



Order No.	Insert	Dimensions					Clamp	Screw	Spring	Wrench	
		Right / Left	D	H	d	d (inch)					I No
MS50S	SP 1203		50	46	22	-	3	CP50-3	CSB0617T	SP030	TL-25
MS63S			63	46	27	1"	4				
MS75S			75	46.5	27	1"	5				
MS100S			100	50	32	1-1/4"	6				

EM618
T型銑刀



Order No.	Insert	Dimensions						Parts	Wrench
Right / Left		D	d	Z	Ds	L	L 1		
EM618-S12-100	M618	9	12	6	18	100	12	CS40110	DBIT-T15
EM618-S16-125		9	16	6	18	125	16	CS40110	DBIT-T15

Bestellnummer	w	r	s	t _{max}	Ds	AK100 / TH200
M618.150.00	1.5	-	4.9	3	18	
M618.200.00	2.0	-	4.9	3	18	
M618.250.00	2.5	-	4.9	3	18	●
M618.300.00	3.0	-	4.9	3	18	