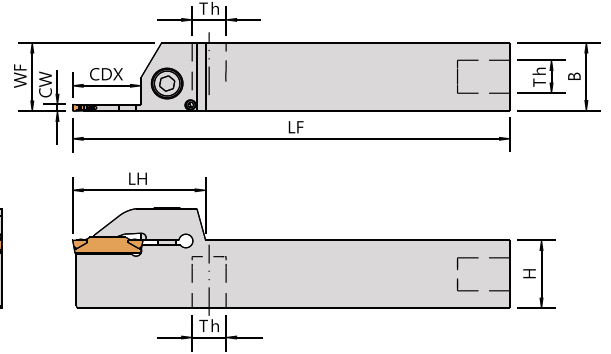
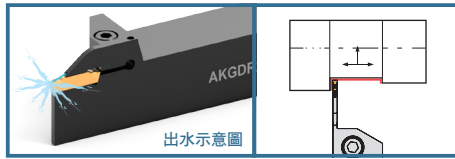


# Grooving Tools 槽刀



▼Recommended Inserts 建議刀片品牌：KYOCERA

| Order No.            | Insert | Dimensions(mm) |    |     |       |    |    |     |     |       | Insert Screw | Coolant plug                  | Adapter | Wrench                  |
|----------------------|--------|----------------|----|-----|-------|----|----|-----|-----|-------|--------------|-------------------------------|---------|-------------------------|
|                      |        | 柄高             | 柄寬 | 總長  | 寬度    | 頭長 | 切寬 | 切深  | 下巴厚 | 牙孔    |              |                               |         |                         |
| Right / Left         |        | H              | B  | LF  | WF    | LH | CW | CDX | HBH | Th    |              |                               |         |                         |
| AKGDR1212H-2T13      | GDM20  | 12             | 12 | 100 | 12.15 | 24 | 2  | 13  | 2   | 5/16" | CSB0414      | CS9NN<br>CS9-2002<br>CS9-5005 | AA-NP   | FT-15<br>LW025<br>LW040 |
| AKGDR/L1212JX-2T12JF |        | 12             | 12 | 120 | 12.15 | 24 | 2  | 12  | 2   | 5/16" | CSR50140     | CS9NN<br>CS9-2002<br>CS9-5005 | -       | FT-15<br>LW040          |
| AKGDL1212JX-2T13JF   |        | 12             | 12 | 120 | 12.15 | 25 | 2  | 13  | 2   | 5/16" | CSR50140     | CS9NN<br>CS9-2002<br>CS9-5005 | -       | FT-15<br>LW040          |
| AKGDR1212K-2T18      |        | 12             | 12 | 125 | 12.15 | 30 | 2  | 18  | 2   | 5/16" | CSB0414      | CS9NN<br>CS9-2002<br>CS9-5005 | AA-NP   | LW025<br>LW040          |
| AKGDR1616H-2T13      |        | 16             | 16 | 100 | 16.15 | 33 | 2  | 13  | 4   | 1/8"  | CSH0514      | CS9NQ<br>CS9-3003             | -       | LW040                   |
| AKGDR/L1616JX-2T17JF |        | 16             | 16 | 120 | 16.15 | 29 | 2  | 17  | -   | 1/8"  | CSR50140     | CS9NQ<br>CS9-2002<br>CS9-6006 | -       | FT-15<br>LW040          |
| AKGDR1616K-2T18      |        | 16             | 16 | 125 | 16.15 | 36 | 2  | 18  | 4   | 1/8"  | CSH0514      | CS9NQ<br>CS9-3003             | -       | LW040                   |
| AKGDR/L2020K-2T18S   |        | 20             | 20 | 125 | 20.15 | 38 | 2  | 18  | -   | 1/8"  | CSH0520      | CS9NQ<br>CS9-25025            | -       | LW040                   |
| AKGDR2525M-2T18S     |        | 25             | 25 | 150 | 25.15 | 38 | 2  | 18  | -   | 1/8"  | CSH0520      | CS9NQ<br>CS9-25025            | -       |                         |
| AKGDR1212K-3T18      | GDM30  | 12             | 12 | 125 | 12.3  | 30 | 3  | 18  | 2   | 5/16" | CSH0520      | CS9NN<br>CS9-3003             | AA-NP   | LW040                   |
| AKGDR1616K-3T18      |        | 16             | 16 | 125 | 16.3  | 36 | 3  | 18  | 4   | 1/8"  | CSH0520      | CS9NQ<br>CS9-3003             | -       | LW040                   |
| AKGDR2020K-3T18      |        | 20             | 20 | 125 | 20.3  | 38 | 3  | 18  | -   | 1/8"  | CSH0520      | CS9NQ<br>CS9-3003             | -       | LW040                   |
| AKGDR2525M-3T13      |        | 25             | 25 | 150 | 25.3  | 33 | 3  | 13  | -   | 1/8"  | CSH0520      | CS9NQ<br>CS9-3003             | -       | LW040                   |
| AKGDR2525M-3T20      |        | 25             | 25 | 150 | 25.3  | 38 | 3  | 20  | -   | 1/8"  |              | CS9NQ<br>CS9-3003             | -       |                         |