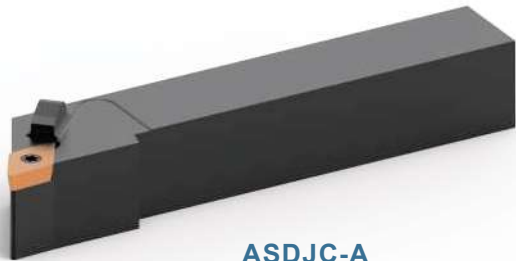
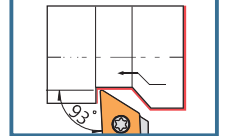
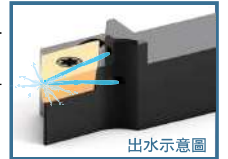
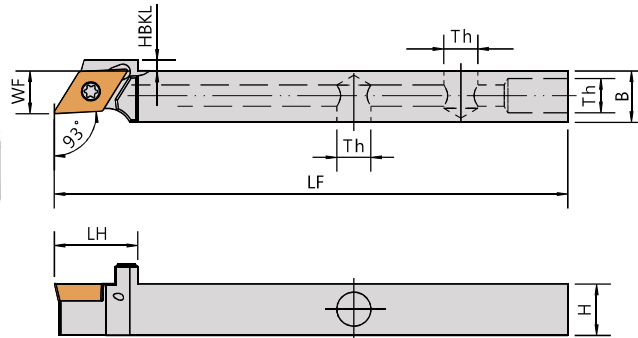


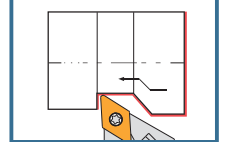
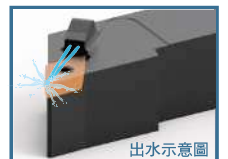
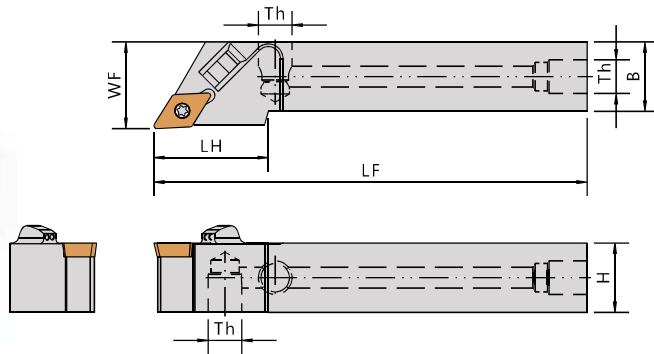
ASDJC
93°



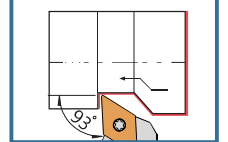
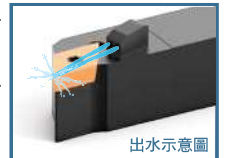
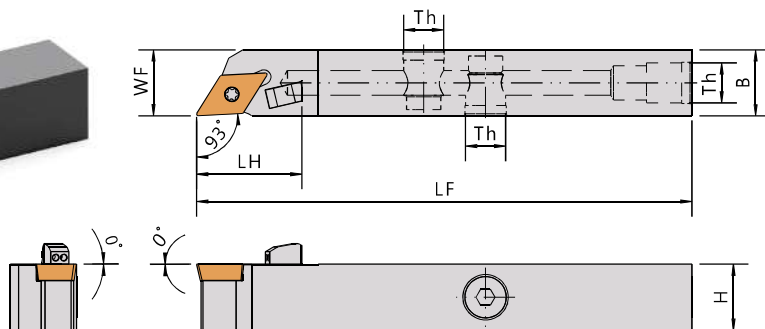
ASDJC-N



ASDJC-A



ASDJC-NA



Order No.	Insert	Dimensions(mm)							Insert Screw	Coolant plug	Adapter	Wrench	
		柄高	柄寬	總長	頭長	寬度	背面長度差	牙孔				刀片螺絲	止付螺絲
Right / Left		H	B	LF	LH	WF	HBKCL	Th					
ASDJCR-1212H11N	DCMT11T3	12	12	100	24	12	3	5/16"	CS35119S		AA-NP		
ASDJCR-1212H11-F10		12	12	100	19.5	10	4	5/16"					
ASDJCR/L-1212JX11NA		12	12	120	19.5	10	4	5/16"					
ASDJCR-1616H11N		16	16	100	24	16	-	1/8"	CS35095		-		
ASDJCR-1616JX11NA		16	16	120	19.5	14	-	1/8"					
ASDJCR-2020K11-A		20	20	125	33	25	-	1/8"	CS35119S		-		
ASDJCR-2525M11-A		25	25	150	38	32	-	1/8"					