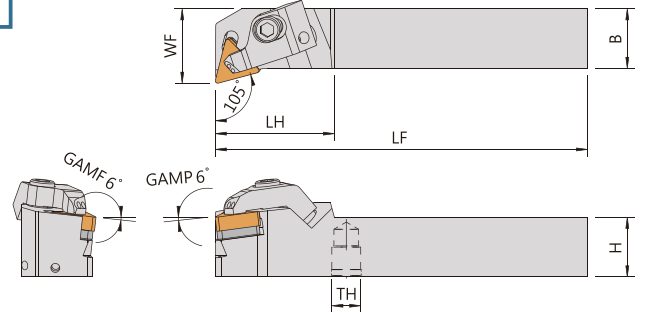
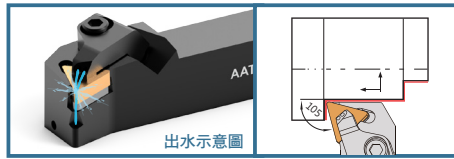


Turning Tools 外徑車刀

AATQN

105°

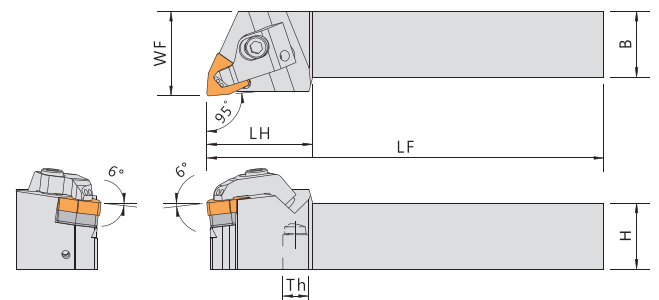


Order No.	Insert	Dimensions(mm)						Shim	Shim Screw	Clamp	Clamp Spring	Clamp Screw	Coolant plug	Wrench
Right / Left	①刀片	柄高	柄寬	總長	頭長	寬度	牙孔	②墊片	③墊片螺絲	④壓板	⑤壓板彈簧	⑥壓板螺絲	⑧止付螺絲	扳手
		H	B	LF	LH	WF	Th							
AATQNR-2020K16WP	TNMG1604	20	20	125	40	25	1/8"	SMT-323	CSA40075	CP-AX01	SP0813	CSH0516	CS9NQ CS9-3003	TL-15 LW040
AATQNR/L-2525M16WP		25	25	150	40	32	1/8"							

WP : Multiple coolant direction 上下雙出水

AAWLN

95°



Order No.	Insert	Dimensions(mm)						Shim	Shim Screw	Clamp	Clamp Spring	Clamp Screw	Coolant plug	Wrench
Right / Left	①刀片	柄高	柄寬	總長	頭長	寬度	牙孔	②墊片	③墊片螺絲	④壓板	⑤壓板彈簧	⑥壓板螺絲	⑧止付螺絲	扳手
		H	B	LF	LH	WF	Th							
AAWLNR-2020K08WP	WNMG0804	20	20	125	40	25	1/8"	SMW-432	CSF4010	CP-AX01	SP0710	CSH0516	CS9NQ CS9-3003	LW025 LW040
AAWLNR-2525M08		25	25	150	40	32	1/8"							
AAWLNR/L-2525M08WP		25	25	150	40	32	1/8"							

WP : Multiple coolant direction 上下雙出水