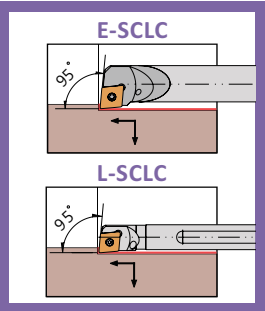
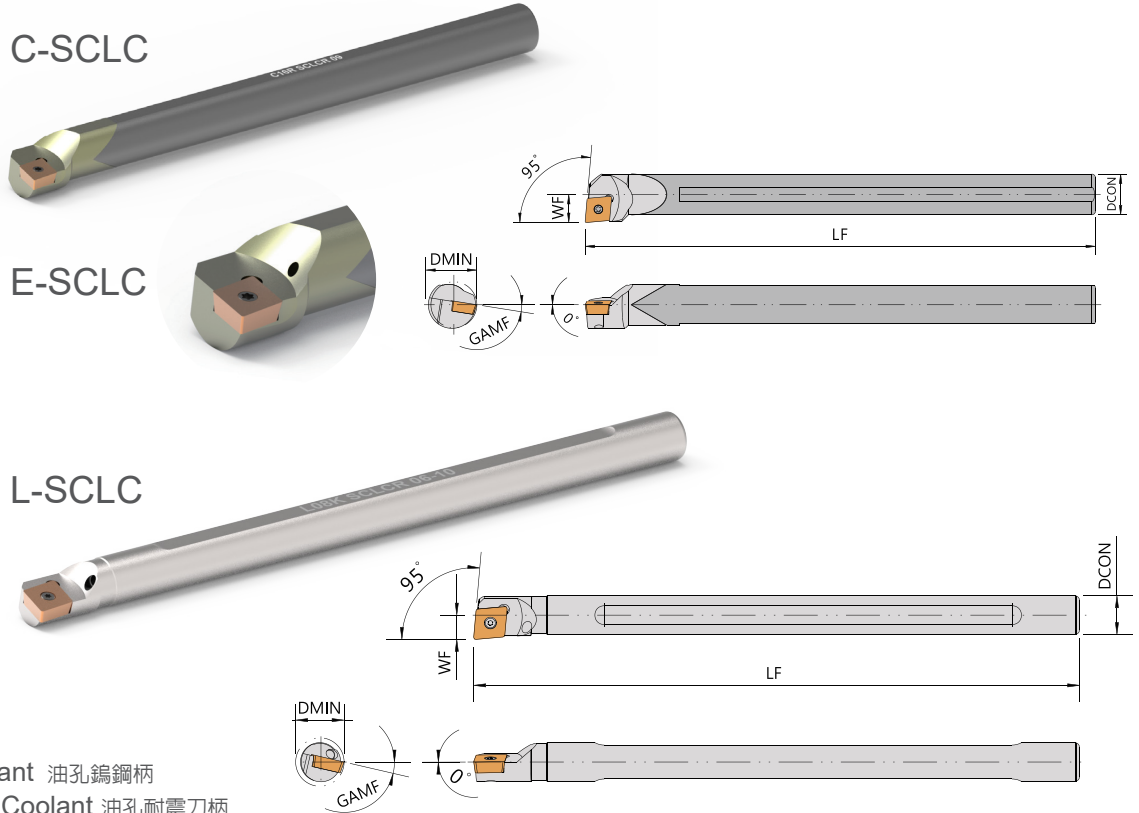


C-SCLC
E-SCLC
L-SCLC
95°



C-Carbide Shank 鎢鋼柄
E-Carbide Shank with Coolant 油孔鎢鋼柄
L-Anti-vibration Shank with Coolant 油孔耐震刀柄

Order No.	Insert	Dimensions(mm)					Parts	Wrench
		柄徑 DCON	工作寬度 WF	長度 LF	最小加工徑 DMIN	徑向前角 GAMF		
C08K-SCLCR06-10	CCMT0602	8	5	125	10	13°	CS25050	FT-7
C10M-SCLCR06-12		10	6	150	12	7°	CS25061S	FT-7
C12Q-SCLCR06-14		12	7	180	14	6°	CS25061S	FT-7
C16R-SCLCR06-18		16	9	200	18	7°	CS25061S	FT-7
C12Q-SCLCR09-14	CCMT09T3	12	7	180	14	6°	CS35075	FT-15
C16R-SCLCR09-18		16	9	200	18	7°	CS35075	FT-15
C20S-SCLCR09-22		20	11	250	22	5°	CS35090	FT-15
C25T-SCLCR09-28		25	14.5	300	28	5°	CS35090	FT-15
E08M-SCLCR06-10	CCMT0602	8	5	150	10	9°	CS25050	FT-7
E10Q-SCLCR06-12		10	6	180	12	7°	CS25061S	FT-7
E12R-SCLCR06-14		12	7	200	14	6°	CS25061S	FT-7
E12R-SCLCR09-14	CCMT09T3	12	7	200	14	6°	CS35075	FT-15
E16R-SCLCR09-18		16	9	200	18	7°	CS35075	FT-15
E20S-SCLCR09-22		20	11	250	22	5°	CS35090	FT-15
E25T-SCLCR09-28		25	14.5	300	28	5°	CS35090	FT-15
L08K-SCLCR06-10	CCMT0602	8	5	125	10	9°	CS25050	FT-7
L10K-SCLCR06-12		10	6	125	12	7°	CS25061S	FT-7
L12M-SCLCR06-14		12	7	150	14	6°	CS25061S	FT-7
L16R-SCLCR09-18	CCMT09T3	16	9	200	18	6°	CS35075	FT-15