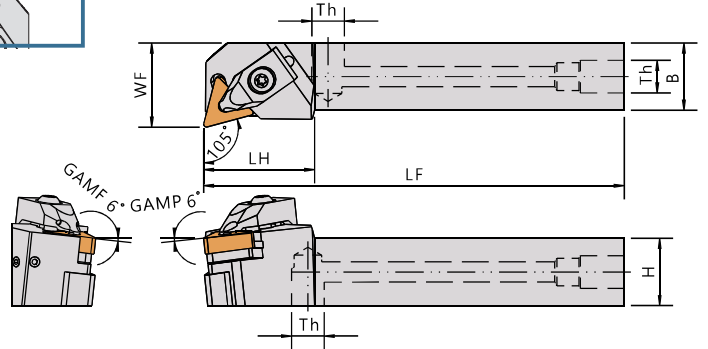
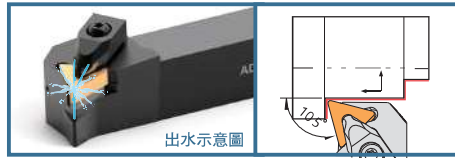


Turning Tools 外徑車刀

ADTQN

105°

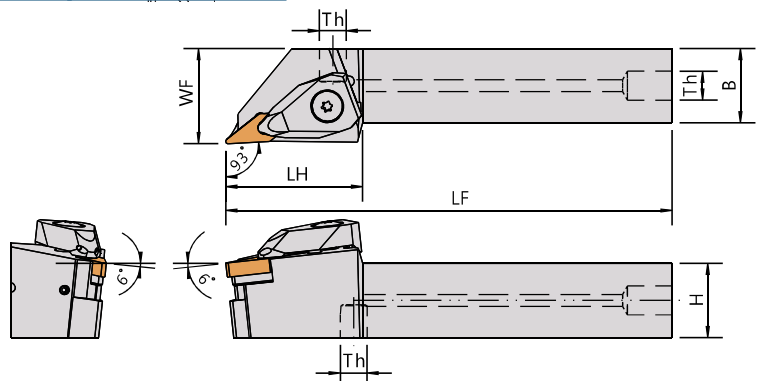


| Order No. | Insert | Dimensions(mm) | | | | | | Shim | Shim Screw | Clamp | Clamp Spring | Clamp Screw | O-ring | Coolant plug | Wrench |
|--------------------|----------|----------------|----|-----|----|----|------|---------|------------|----------------------|--------------|-------------|-----------------|-------------------|----------------|
| Right / Left | ①刀片 | 柄高 | 柄寬 | 總長 | 頭長 | 寬度 | 牙孔 | ②墊片 | ③墊片螺絲 | ④壓板 | ⑤壓板彈簧 | ⑥壓板螺絲 | ⑦O型環 | ⑧止付螺絲 | 扳手 |
| | | H | B | LF | LH | WF | Th | | | | | | | | |
| ADTQNR/L-2020K16WP | TNMG1604 | 20 | 20 | 125 | 25 | 33 | 1/8" | SMT-323 | CSA40075 | CP-D2AR1 CP-D2AL1 | SP0612 | CSB0415T | WSS3 WSA5015 | CS9NQ CS9-3003 | TL-15 LW040 |
| ADTQNR-2525M16WP | | 25 | 25 | 150 | 32 | 33 | 1/8" | | | CP-D2AR1 | | | | | |

WP : Multiple coolant direction 上下雙出水

ADVJN

93°



| Order No. | Insert | Dimensions(mm) | | | | | | Shim | Shim Screw | Clamp | Clamp Spring | Clamp Screw | Washer | O-ring | Coolant plug | Wrench |
|--------------------|----------|----------------|----|-----|----|----|------|---------|------------|----------------------|--------------|-------------|--------|--------|-------------------|----------------|
| Right / Left | ①刀片 | 柄高 | 柄寬 | 總長 | 頭長 | 寬度 | 牙孔 | ②墊片 | ③墊片螺絲 | ④壓板 | ⑤壓板彈簧 | ⑥壓板螺絲 | C型環 | ⑦O型環 | ⑧止付螺絲 | 扳手 |
| | | H | B | LF | LH | WF | Th | | | | | | | | | |
| ADVJNR/L-2020K16WP | VNMG1604 | 20 | 20 | 125 | 50 | 25 | 1/8" | SMV-322 | CSA40075 | CP-D3AR1 CP-D3AL1 | SP030 | CSB0620P | ER04 | WSP25 | CS9NQ CS9-3003 | TL-20 LW040 |
| ADVJNR-2525M16WP | | 25 | 25 | 150 | 46 | 32 | 1/8" | | | CP-D3AR1 | | | | | | |

WP : Multiple coolant direction 上下雙出水