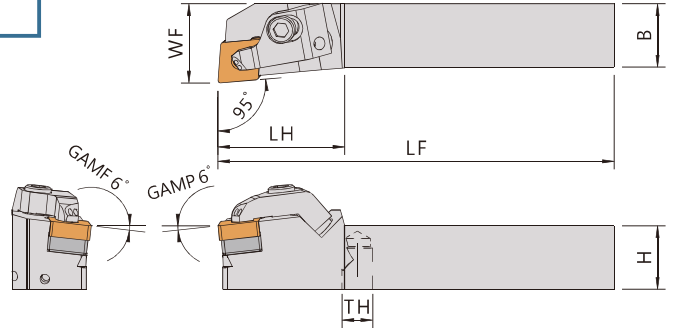
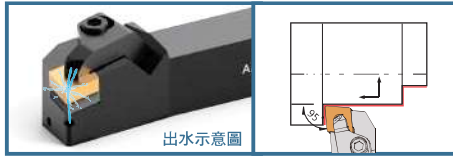


Turning Tools 外徑車刀

AACLN

95°

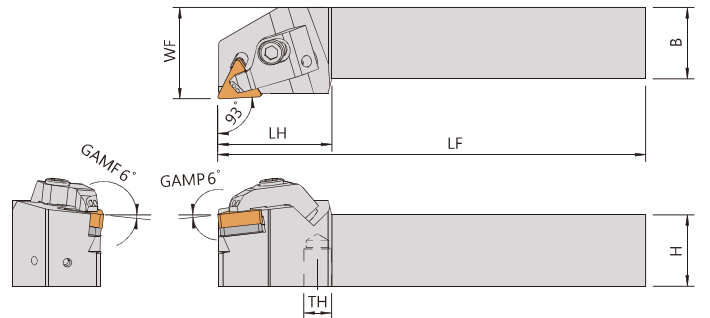
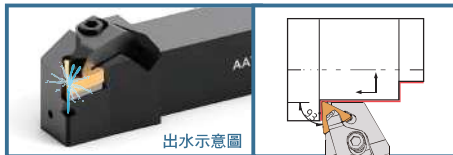


Order No.	Insert	Dimensions(mm)						Shim	Shim Screw	Clamp	Clamp Spring	Clamp Screw	Coolant plug	Wrench
		柄高	柄寬	總長	頭長	寬度	牙孔							
Right / Left	①刀片	H	B	LF	LH	WF	Th	②墊片	③墊片螺絲	④壓板	⑤壓板彈簧	⑥壓板螺絲	⑧止付螺絲	扳手
AACLNR-2020K12WP	CNMG1204	20	20	125	40	25	1/8"	SMC-432	CSF4010	CP-AX01	SP0813	CSH0516	CS9NQ CS9-3003	LW025 LW040
AACLNR-2525M12WP		25	25	150	36	32	1/8"							

WP : Multiple coolant direction 上下雙出水

AATJN

93°



Order No.	Insert	Dimensions(mm)						Shim	Shim Screw	Clamp	Clamp Spring	Clamp Screw	Coolant plug	Wrench
		柄高	柄寬	總長	頭長	寬度	牙孔							
Right / Left	①刀片	H	B	LF	LH	WF	Th	②墊片	③墊片螺絲	④壓板	⑤壓板彈簧	⑥壓板螺絲	⑧止付螺絲	扳手
AATJNR-2020K16WP	TNMG1604	20	20	125	40	25	1/8"	SMT-323	CS40075	CP-AX01	SP0813	CSH0516	CS9NQ CS9-3003	TL-15 LW040
AATJNR-2525M16		25	25	150	40	32	1/8"							
AATJNR-2525M16WP		25	25	150	40	32	1/8"							

WP : Multiple coolant direction 上下雙出水